

Status Indicators

A.1 Supervisor Module

While the front panel of each switch can house two supervisors, switch operations require only one. Supervisors display switch component status and contain Ethernet management and console ports. [Appendix C](#) displays the supervisor location on each switch.

The supervisor style depends on the switch model. These sections describe both supervisor styles.

A.1.1 Supervisor Indicators: 7508/7504

The 7508/7504 supervisor provides a serial console port, an Ethernet management port, and a USB port. Supervisor activity is reported by LEDs in the upper left quadrant. The Status Summary Screen in the center reports status for other components. [Figure A-1](#) depicts the 7508/7504 Supervisor Module.

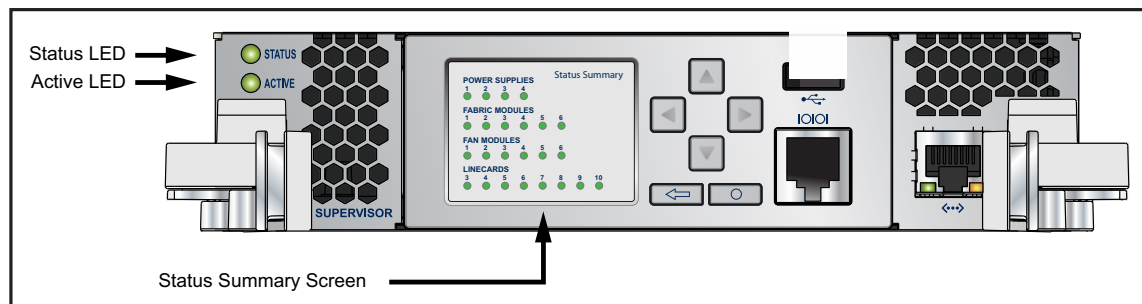


Figure A-1: Supervisor Module: 7508 / 7504

Supervisor Activity Status

The Status and Active LEDs report supervisor activity status. [Table A-1](#) interprets the states of both LEDs.

Table A-1 Supervisor Activity LED States: 7508 / 7504

LED Name	LED State	Supervisor State
Status LED	Off	Module failed or is improperly inserted.
Status LED	Green	Supervisor operating normally.

Table A-1 Supervisor Activity LED States: 7508 / 7504

LED Name	LED State	Supervisor State
Status LED	Red	Module failed.
Active LED	Off	Supervisor is not active.
Active LED	Green	Supervisor is active and controlling the switch.

Component Activity Status

The Supervisor Status Summary Screen displays indicators for the power supplies, fabric module, fan modules and line cards. [Table A-2](#) interprets the states of the indicators that the screen displays.

Table A-2 Supervisor Status Summary Screen LED States: 7508 / 7504

LED State	Status
Gray	Module not present or improperly inserted.
Green	Module operating normally.
Red	Module has failed.

A.1.2 Supervisor Indicators: 7508E / 7504E

The 7508E/7504E supervisor provides one serial console port, two Ethernet management ports, two USB ports, and one clock input port. Supervisor activity is reported by LEDs in the upper left corner. Four LEDs located left of the input ports report status of other switch components. [Figure A-2](#) displays the 7508E/7504E Supervisor Module.

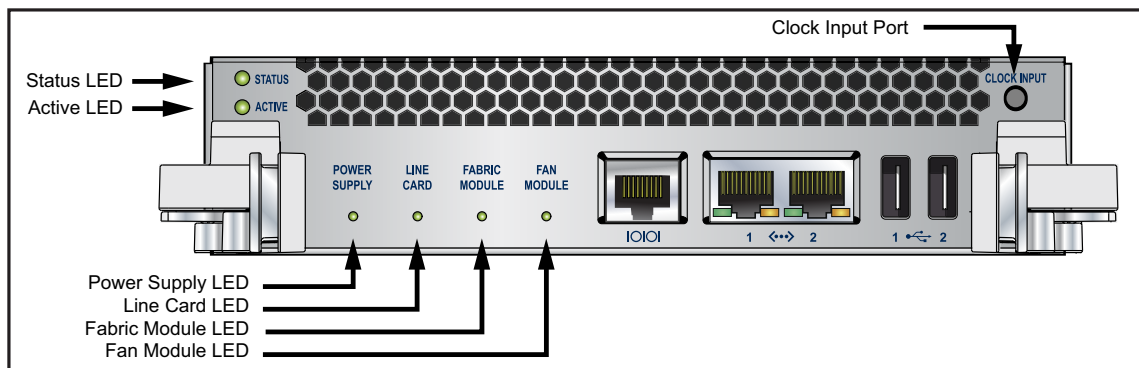


Figure A-2: Supervisor Module: 7508E / 7504E

Supervisor Activity Status LEDs

The Status and Active LEDs are located on the left side of the Supervisor Module. [Table A-3](#) interprets the states of these two LEDs.

Table A-3 Supervisor Activity LED States: 7508E / 7504E

LED Name	LED State	Supervisor State
Status	Off	Module failed or is improperly inserted.
	Green	Supervisor operating normally.
	Red	Module failed.
Active	Off	Supervisor is not active.
	Green	Supervisor is active and controlling the switch.

Component Activity Status LEDs

LEDs located below the vents and left of the input ports display summary indicators for power supplies, fabric modules, fan modules, and line cards. [Table A-4](#) interprets the states of these indicators. When error conditions are indicated, refer to LEDs on the specified modules to determine the condition’s source.

Table A-4 Component Activity LED States: 7508E / 7504E

LED Name	LED State	Module State
Power Supply, Line Card Fabric Module	Off	No modules are present or powered.
	Green	All powered modules are operating normally.
	Red	At least one module has failed.
Fan Modules	Amber	At least one fan is missing or has failed.
	Green	All modules are operating normally.
	Red	There are insufficient functional fans installed in the switch.

A.2 Line Card Module Indicators

Each line card module provides one status LED plus LEDs for each port on the card. The figures in [Appendix E](#) indicate the location of the LEDs on each line card. [Figure A-3-left](#) displays the status LED and Port LEDs on the left side of the DC-7548S-LC line card. [Figure A-3-right](#) displays the status LED and Port LEDs on the left side of the DCS-7500E-36Q-LC line card.

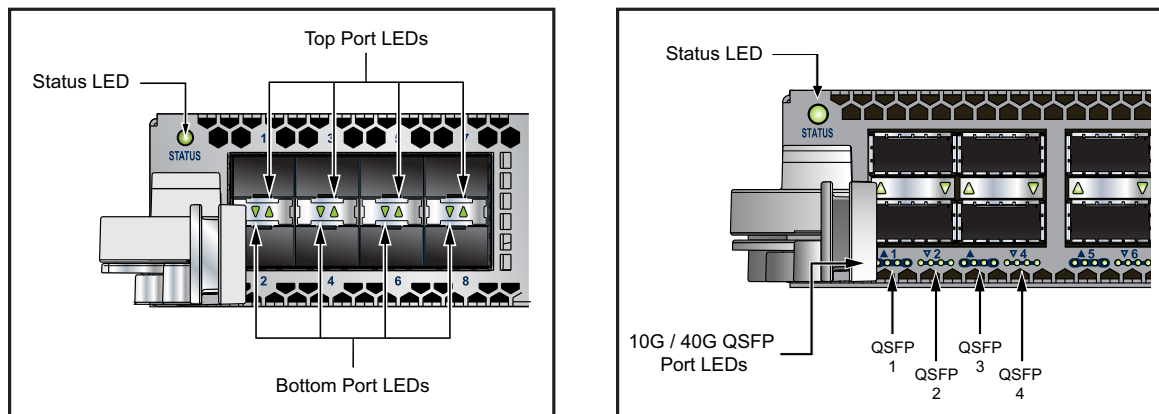


Figure A-3: line card Status LED

The line card Status LED is in the top left corner of the DC-7548S-LC line card. [Table A-5](#) interprets the states of the Status LED.

Table A-5 Line Card Status LED States

LED State	Status
Off	line card not inserted.
Green	line card operating normally.
Yellow	line card administratively shut down.
Red	Module has failed.

The line card provides LEDs for each port module socket:

- [Figure A-3-left](#) displays SFP module LEDs. Each LED corresponds to a module.

- [Figure A-3-right](#) displays QSFP module LEDs. A set of four LEDs correspond to each module. When the module is programmed as a 40G port, the first LED in the set reports status. When the module is programmed as four 10G ports, each port is assigned to an LED within the set.

[Table A-6](#) interprets the port LED states.

Table A-6 line card Port LED States

LED State	Status
Off	Port link is down.
Green	Port link is up.
Yellow	Port is disabled in software.

A.3 Fan and Fabric Status Indicators

Fan and Fabric Status LEDs are on fan modules (DCS-7508) or fan-fabric modules (DCS-7504, DCS-7508E, and DCS-7504E). [Appendix D](#) displays the position of these LEDs on the rear of each switch. [Figure A-4](#) displays Fan Status and Fabric Status LEDs on the DCS-7508 and DCS-7504 switches.

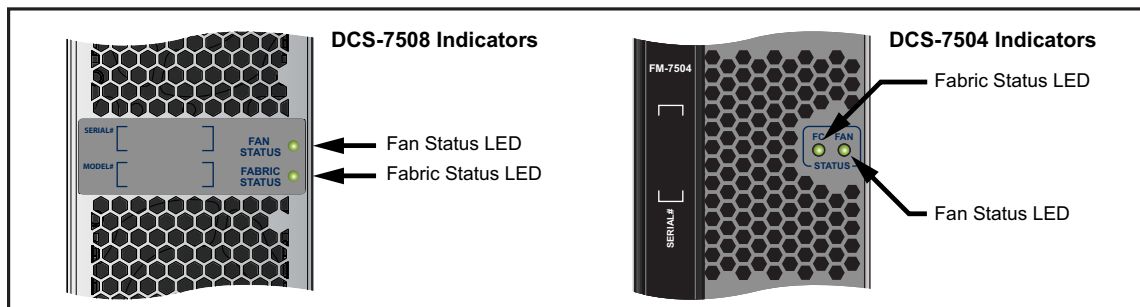


Figure A-4: Fan Status and Fabric Status LEDs

[Table A-7](#) interprets the states of the Fan and Fabric Status LED.

Table A-7 Fan Status and Fabric Status LEDs on Rear Panel

LED State	Status
Off	Module inserted, but status is unknown.
Green	Module operating normally
Red	Module failed