

ARISTA



Quick Start Guide

Modular Data Center Switches

DCS-7508
DCS-7504

Arista Networks

www.aristanetworks.com

Headquarters	Support	Sales
5470 Great America Parkway Santa Clara, CA 95054 USA		
408 547-5500	408 547-5502 866 476-0000	408 547-5501 866 497-0000
www.aristanetworks.com	support@aristanetworks.com	sales@aristanetworks.com

© Copyright 2011 Arista Networks, Inc. The information contained herein is subject to change without notice. Arista Networks and the Arista logo are trademarks of Arista Networks, Inc in the United States and other countries. Other product or service names may be trademarks or service marks of others.

Chapter 1 Overview

1.1 Scope

This guide is intended for properly trained service personnel and technicians who need to install the following Arista Networks Data Center Switches:

- DCS-7504
- DCS-7508

Important! Only qualified personnel should install, service, or replace this equipment.

1.2 Receiving and Inspecting the Equipment

Upon receiving the switch, inspect the shipping boxes and record any external damage. Retain the packing materials if you suspect that part of the shipment is damaged; the carrier may need to inspect them.

If the boxes were not damaged in transit, unpack them carefully. Ensure that you do not discard any accessories that may be packaged in the same box as the main unit.

Inspect the packing list and confirm that you received all listed items. Compare the packing list with your purchase order. Appendix C provides a list of components included with the switch.

1.3 Installation Process

The following tasks are required to install and use the switch:

Step 1 Select and prepare the installation site as described in [Section 2.1](#).

Step 2 Assemble the installation tools listed in [Section 2.2](#).

Step 3 Attach the mounting brackets and install the switch in an equipment rack as described in [Chapter 3](#).

Step 4 Connect the switch to the power source and network devices as described in [Chapter 4](#).

Step 5 Configure the switch as described in [Chapter 5](#).

1.4 Specifications

Table 1 lists the specifications of Arista Data Center modular switches covered by this guide.

Table 1: Modular Switch Specifications

	DCS-7508	DCS-7504
Height	11U: 483 mm (19.05 inches)	7 U: 308 mm (12.13 inches)
Width	446 mm (17.56 inches)	446 mm (17.56 inches)
Depth	759 mm (29.88 inches)	759 mm (29.88 inches)
Weight	136 kg (300 pounds)	95 kg (210 pounds)
Power Input	200-240 VAC, 50 or 60 hz, 20 A (2 to 4 circuits)	200-240 VAC, 50 or 60 hz, 20 A (1 to 4 circuits)
Ambient Temperature	0° – 40° C (32° – 104° F)	0° – 40° C (32° – 104° F)
Altitude	0 – 3000 meters (0 – 10,000 feet)	0 – 3000 meters (0 – 10,000 feet)
Cooling	6600 W maximum	2500 W maximum

Important! Class 1 Laser Product: This product has provisions to install Class 1 laser transceivers that provides optical coupling to the communication network. Once a Class 1 laser product is installed, the equipment is a Class 1 Laser Product (Appareil à Laser de Classe 1). The customer is responsible for selecting and installing the Class 1 laser transceiver and for insuring that the Class 1 AEL (Allowable Emission Limit) per EN/IEC 6-825, CSA E60825-1, and Code of Federal Regulations 21 CFR 1040 is not exceeded after the laser transceiver have been installed. Do not install laser products whose class rating is greater than 1. Refer to all safety instructions that accompanied the transceiver prior to installation. Only Class 1 laser devices certified for use in the country of installation by the cognizant agency are to be utilized in this product.

1.5 Obtaining Technical Assistance

Any customer, partner, reseller or distributor holding a valid Arista Service Contract can obtain technical support in any of the following ways:

- **Email:** support@aristanetworks.com. This is the easiest way to create a new service request. Include a detailed description of the problem and the output of “show tech-support”.
- **Web:** www.aristanetworks.com/en/support.
A support case may be created through the support portal on our website. You may also download the most current software and documentation, as well as view FAQs, Knowledge Base articles, Security Advisories, and Field Notices.
- **Phone:** 866-476-0000 or 408-547-5502.

Important! No user serviceable parts inside. Refer all servicing to qualified service personnel.

Important! Ultimate disposal of this product should be handled in accordance with all national laws and regulations.

Chapter 2 Preparation

2.1 Site Selection

The following criteria should be considered when selecting a site to install the switch:

- **Temperature and Ventilation:** For proper ventilation, install the switch where there is ample airflow to the front and back of the switch. The temperature should not go below 0° or exceed 40° C.

Important! To prevent the switch from overheating, do not operate it in an area where the ambient temperature exceeds 40°C (104°F).

- **Airflow Orientation:** The fans direct air from the front panel to the rear panel. Orient the front panel toward the cool aisle.
- **Rack Space:** Install the switch in a 19" rack or cabinet. The switch height is 11 RU (DCS-7508) or 7 RU (DCS-7504). The accessory kit provides mounting brackets for two-post and four-post racks.

When mounting the switch in a partially filled rack, load the rack from bottom to top, with the heaviest equipment at the bottom. Load the switch at the bottom if it is the only item in the rack.

- **Power Requirements:** The DCS-7508 switch requires two 200-240 VAC, 50 or 60 Hz, 20 A circuits. The DCS-7504 switch requires one 200-240 VAC, 50 or 60 Hz, 20 A circuit.

Four circuits provide redundancy protection. The switch uses power cables that comply with IEC-320 and have a C19 plug. The accessory kit provides four IEC-320 C19 to C20 power cables, each two meters long.

Important! All power input plug-socket combinations must be accessible at all times; they provide the primary method of disconnecting power from the system.

- **Other Requirements:** Select a site where liquids or objects cannot fall onto the equipment and foreign objects are not drawn into the ventilation holes. Verify these guidelines are met:
 - Clearance areas to the front and rear panels allow for unrestricted cabling.
 - All front and rear panel indicators can be easily read.
 - AC power cords can reach from the AC power outlet to the connectors on the front panel.

Important! All power connections must be removed to de-energize the unit.

2.2 Tools Required for Installation

The following tools are required to install a modular switch:

- Mechanical lift device
- Adjustable wrench (provided)
- Phillips #2 screwdriver
- Phillips #3 screwdriver

Two-post rack mounts:

- Eight equipment rack screws (all two-post rack mounts).
- Eight equipment rack nuts (two-post rack mount with unthreaded rack post holes).

Four-port rack mounts:

- Eight equipment rack screws (four-post rack mount with threaded rack post holes).

Accessory kit provides rack screws for four-post rack mount with unthreaded rack post holes.

The accessory kit includes screws that fit many common equipment racks. When installing the switch into a rack with unthreaded post holes, nuts are also required to secure the switch to the rack posts.

2.3 Electrostatic Discharge (ESD) Precautions

Observe these guidelines to avoid ESD damage when installing or servicing the switch.

- Assemble or disassemble equipment only in a static-free work area.
- Use a conductive work surfaces (such as an antistatic mat) to dissipate static charge.
- Wear a conductive wrist strap to dissipate static charge accumulation.
- Minimize handling of assemblies and components.
- Keep replacement parts in their original static-free packaging.
- Remove all plastic, foam, vinyl, paper, and other static-generating materials from the work area.
- Use tools that do not create ESD.

Chapter 3 Rack Mounting the Switch

The accessory kit provides components for installing the switch in two-post and four-post racks.

- [Section 3.1](#) provides instructions for mounting the switch in a two-post rack.
- [Section 3.2](#) provides instructions for mounting the switch in a four-post rack.

The rack mounting procedure is identical for all modular switches. Illustrations in this chapter depict the mounting of an unpopulated DCS-7508 chassis.

After completing the instructions for your rack type, proceed to [Chapter 4](#).

3.1 Two-Post Rack Mount

To mount the switch to a two-post rack, assemble mounting brackets to the middle of the chassis, then attach the brackets to the rack. The switch does not support a front or rear mount into a two-post rack.

The accessory kit includes the following two-post mounting parts:

- 2 center-mount brackets
- 20 M4x8 panhead Phillips screws

[Figure 19 on page 24](#) displays the two-post mounting parts.

3.1.1 Attaching Mounting Brackets to the Chassis

Step 1 Orient the switch chassis and the two center-mount brackets ([Figure 1](#)).

Position the flanges that attach to the rack posts toward the rear of the chassis.

Step 2 Attach both center-mount brackets to the chassis.

Each bracket requires ten M4x8 panhead Phillips screws.

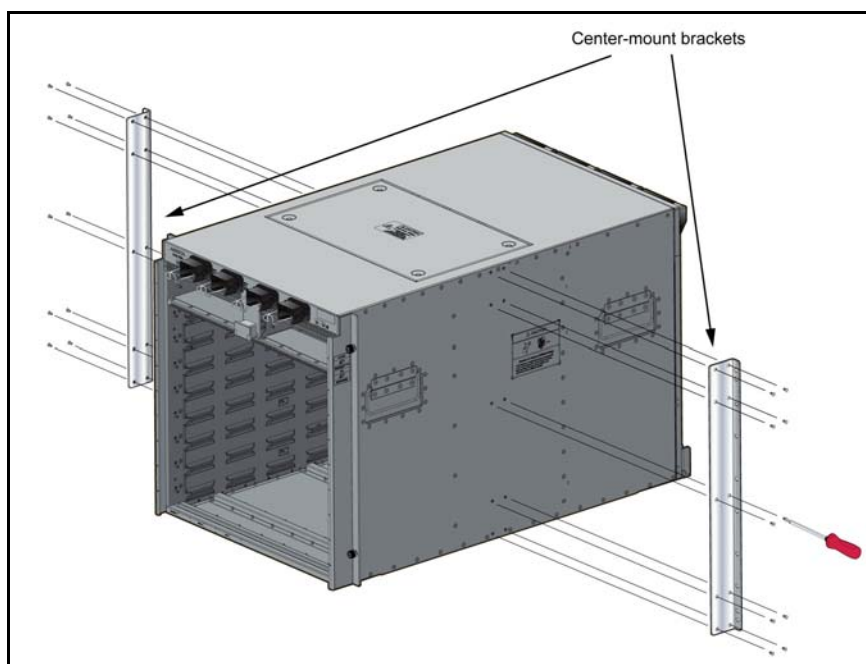


Figure 1: Attaching the Center-mount Brackets

3.1.2 Inserting the Switch into the Rack

Step 1 Move the chassis to the rack using a mechanical lift ([Figure 2](#)).

If modules are inserted in the chassis, use the lift carefully to avoid damaging any components.

Step 2 Lift the chassis into the rack. Position the flanges against the rack posts ([Figure 2](#)).

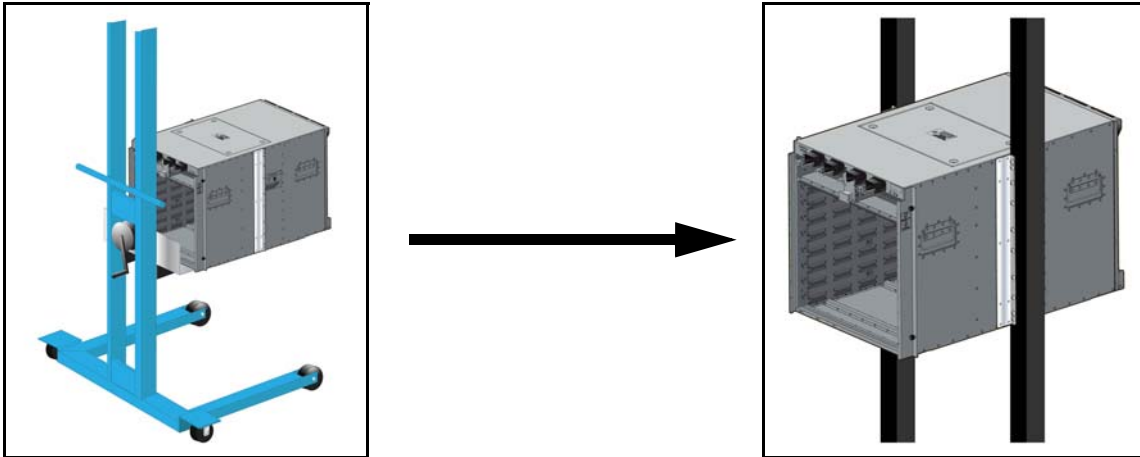


Figure 2: Lifting the Switch Chassis into the two post rack

Step 3 Select mounting screws that fit your equipment rack.

A minimum of four screws is required on each side of the chassis. The accessory kit provides screws that fit many common equipment racks.

Step 4 Attach the bracket flanges to the rack posts ([Figure 3](#)). Space the screws evenly along the flange.

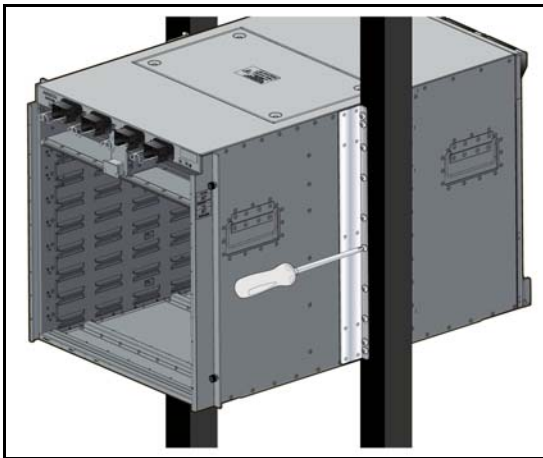


Figure 3: Attaching Flanges to the Rack Post

After completing the two-post installation, proceed to [Chapter 4](#).

3.2 Four-Post Rack Mount

The switch is mounted onto a four-post rack by assembling a shelf into the rack, then placing the switch on the shelf.

The accessory kit provides the following four-post mounting parts:

- 2 front brackets
- 4 shelf supports
- 2 back brackets (not needed for racks with threaded holes)
- left shelf
- right shelf

Figure 20 on page 25 displays the four-post mounting parts.

3.2.1 Assembling the Shelf

Step 1 Attach the front bracket and shelf support to the left front rack post, as shown in Figure 4. An up arrow is printed on the shelf support to indicate its proper orientation.

Unthreaded rack holes: Use the M6 screws and cage nuts supplied in the accessory kit.

Threaded rack holes: Attach the front bracket to the post with screws that can be threaded through the rack post. Secure the shelf support to the post with nuts that fit the screws threaded through the post.

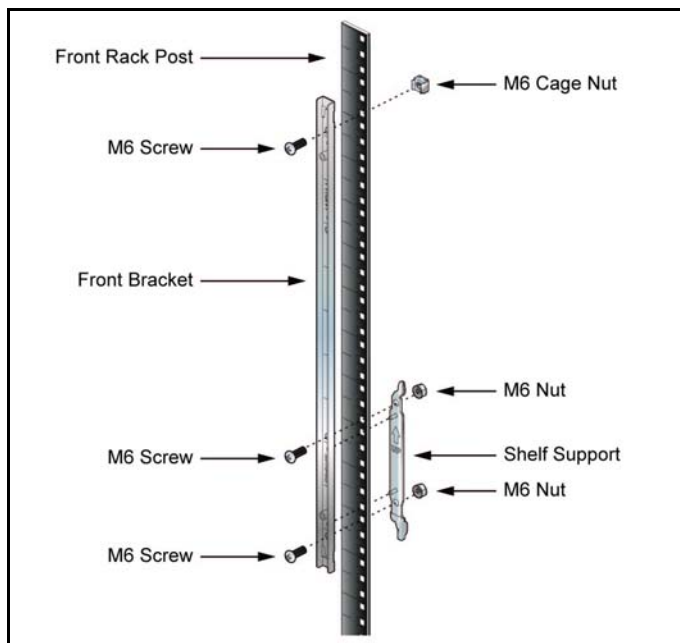


Figure 4: Left Front Post Assembly: Four Post Rack Mount

Step 2 Repeat step 1 on the right front rack post, assembling the parts at the same vertical level as those on the left rack post.

Step 3 Attach the shelf support and back bracket to the left rear post (Figure 5-left). The shelf support must be assembled at the same vertical level on the front and rear posts (Figure 5-right). An up arrow is printed on the shelf support to indicate its proper orientation.

Unthreaded rack holes: Attach the parts as displayed in Figure 5-left.

Threaded rack holes: Attach the shelf support to the post with screws that thread into the rack post. The back bracket is not required on threaded racks.

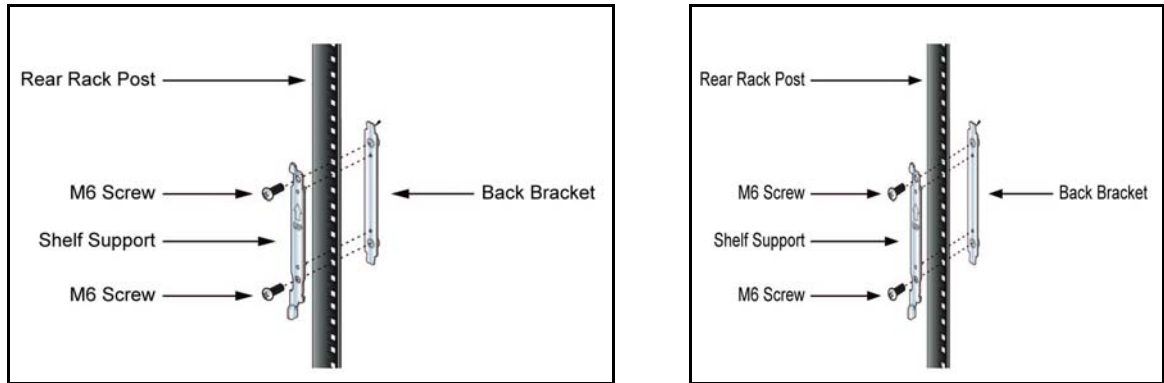


Figure 5: Left Rear Post Assembly and Shelf Support Orientation: Four Post Rack Mount

Step 4 Adjust the left shelf by sliding its components to fit between the front left and front rear rack posts, as shown in Figure 6.

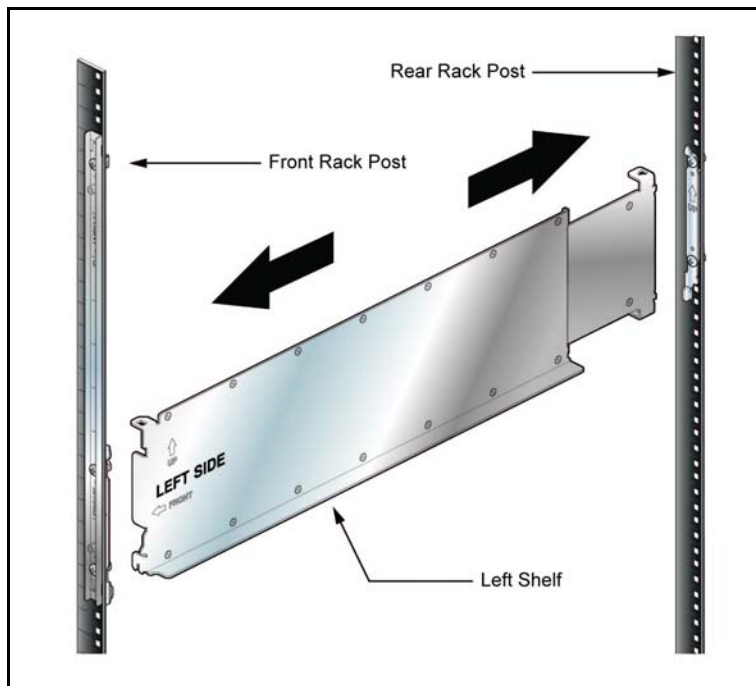


Figure 6: Adjusting the Left Shelf

Step 5 Lift the left shelf above the shelf supports installed on the left front and left rear rack posts (step 1 and step 3). Align the holes (Inset A) and hook (Inset B) with the stubs on the brackets. Lower the shelf such that the bracket stubs are inserted into the shelf holes and hook.

Press down firmly on the shelf to ensure it is seated securely on the rack posts..

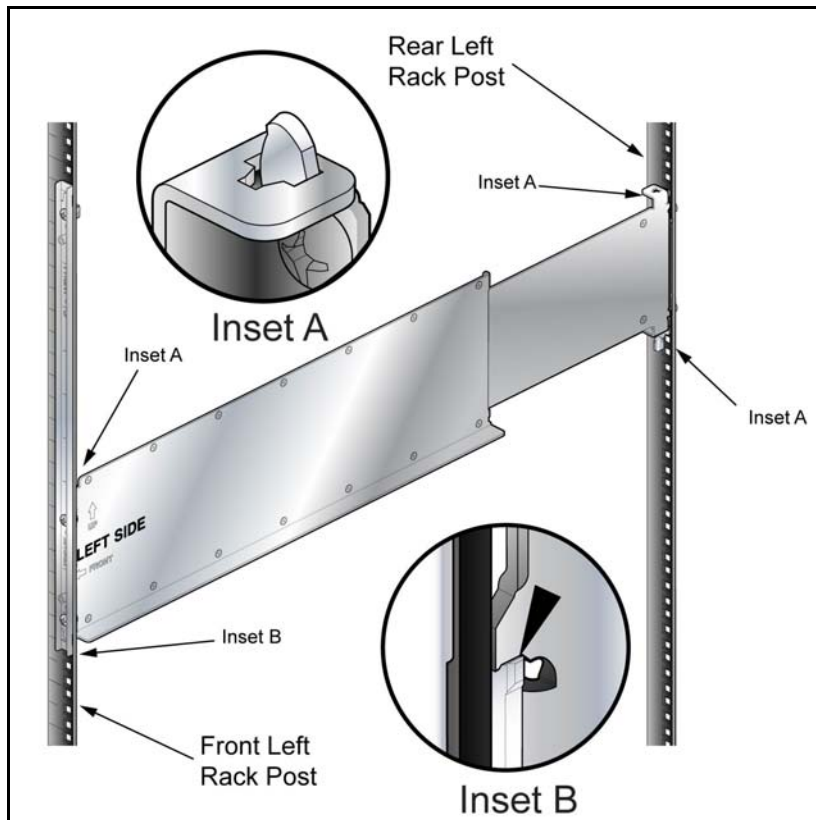


Figure 7: Seating the Left Shelf

Step 6 Install the right shelf on the right front and right rear rack posts by repeating step 4 and step 5 to obtain the rack configuration shown in [Figure 8](#).

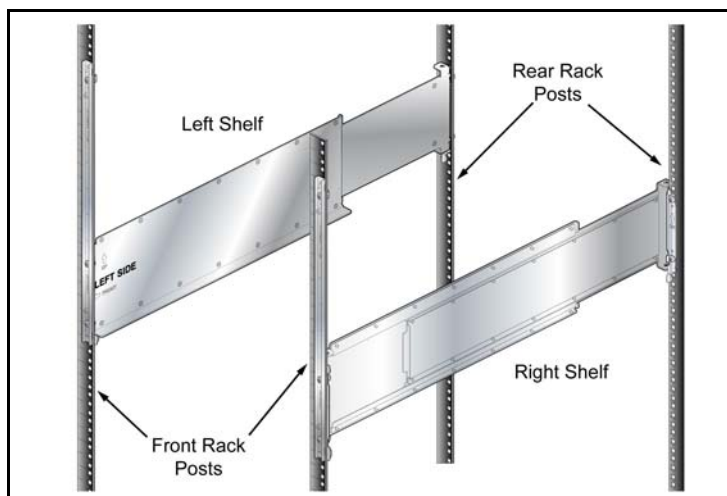


Figure 8: Both Switch Shelves Installed

3.2.2 Inserting the Switch into the Rack

Step 1 Move the chassis to the rack using a mechanical lift ([Figure 9](#)).

If modules are inserted in the chassis, use the lift carefully to avoid damaging any components.

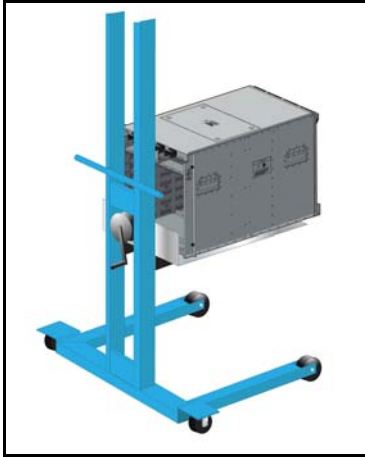


Figure 9: Lifting the Switch Chassis

Step 2 Lift the chassis into the rack.

Step 3 Secure the chassis by tightening the four thumbscrews on the front flanges into the rack posts ([Figure 10](#)).

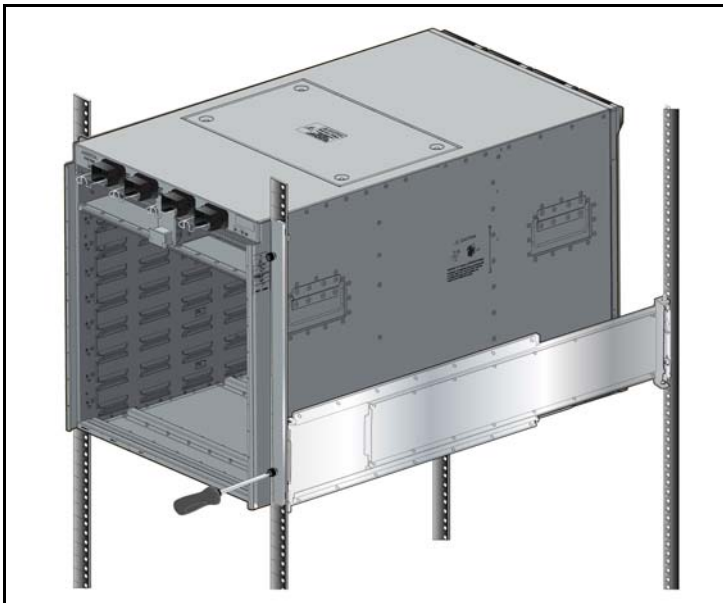


Figure 10: Inserting the Switch onto the Rack Shelf

After completing the Four-Post Installation, proceed to [Chapter 4](#).

Chapter 4 Cabling the Modular Switch

4.1 Connecting Power Cables

Important! Installation of this equipment must comply with local and national electrical codes. If necessary, consult with the appropriate regulatory agencies and inspection authorities to ensure compliance.

The switch operates with four power supplies, each of which connects to circuits that provide 200-240 VAC, 50 or 60 Hz, and 20 A.

- DCS-7508 requires the connection of at least two power supplies to active circuits.
- DCS-7504 requires the connection of one power supply to an active live circuit.

Connecting power to all four power supplies protects against the failure of up to two power supplies and can provide grid-level redundancy.

Figure 11 displays the power input sockets located on the front panel. Appendix D displays the location of the power input sockets on the front panel.

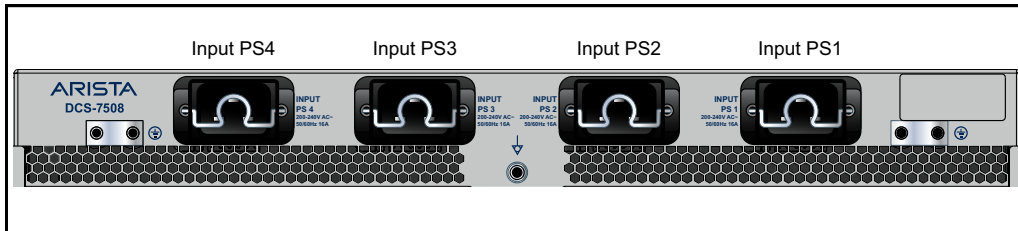


Figure 11: Power Input Sockets

Important! Read all installation instructions before connecting the system to the power source.

- **Non-Redundant Configuration:** Provide power to any two of the four power inputs.
- **Redundant Power Supply Configuration:** Provide power to all four power inputs.
- **Power down the Switch:** Remove all power cords from the power input sockets.

Each power supply includes a fan that maintains the proper power supply temperature and cools the supervisor modules located below the power input sockets. The power supply fans are in addition to the fan modules located behind the power supplies. Appendix E displays the location of the power supplies and fan modules on the rear panel. Energizing any power supply causes all power supply fans to function.

Figure 12 displays the power input sockets and supervisor modules located at the top of the front panel.

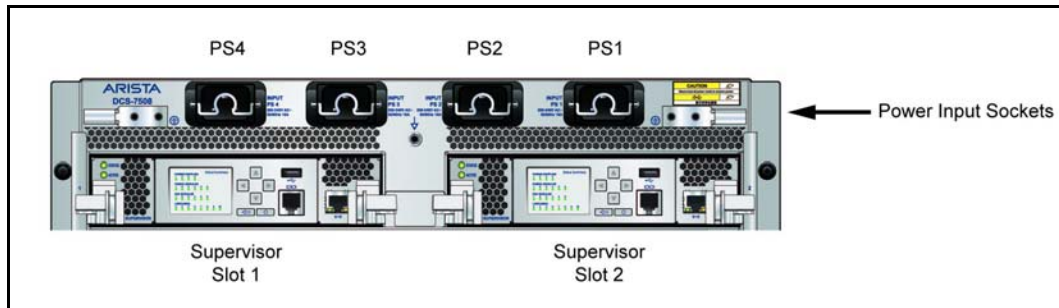


Figure 12: Power Supply Ports and Supervisor Modules

The switch uses power cables that comply with IEC-320 and have a C19 plug. The accessory kit provides four IEC-320 C19 to C20 power cables, each two meters long.

To insert a power cable:

- Step 1** Lift the retaining clip on each power input socket.
- Step 2** Plug the power cables into the sockets.
- Step 3** Adjust the retaining clips if needed for your power cords.
- Step 4** Push the retaining clip back down over the cable.

Important! This equipment must be grounded. Never defeat the ground conductor.

Important! This unit requires overcurrent protection.

4.2 Connecting Supervisor Cables

The accessory kit includes the following cables:

- Two RJ-45 to DB-9 serial adapter cables.
- Two RJ-45 Ethernet cables.

The supervisor modules are located on the front panel and contain the console, management, and USB ports (Figure 13). Appendix D displays the front panel of all switches covered by this guide.

- **Console (Serial) Port:** Use an RJ-45 to DB-9 serial adapter cable to connect the console (serial) port to a PC. The switch uses the following default settings:
 - 9600 baud
 - No flow control
 - 1 stop bit
 - No parity bits
 - 8 data bits
- **Ethernet Management Port:** Use an RJ-45 Ethernet cable to connect the Ethernet management port to a 10/100/1000 management network.
- **USB Port:** The USB port may be used for software or configuration updates.

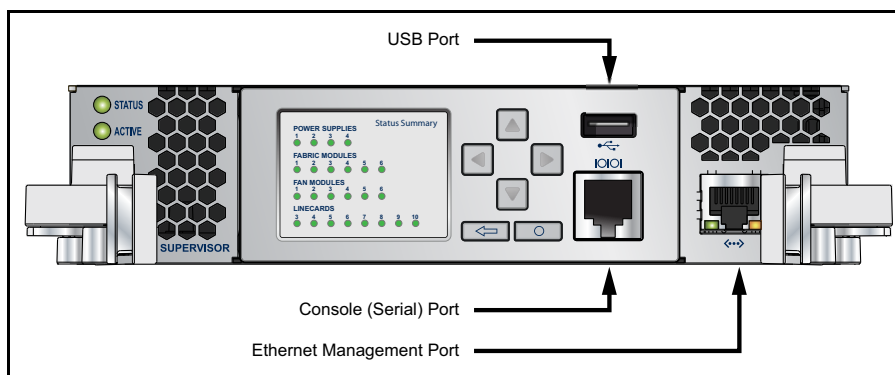


Figure 13: Supervisor Ports

4.3 Connecting Linecard Modules and Cables

Install required SFP or SFP+ optic modules in linecard module ports (Figure 14).

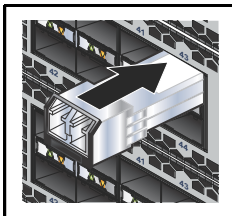


Figure 14: SFP or SFP+ ports

Connect cables as required to linecard module ports. Supervisor and linecard module ejectors on the front of the chassis assist with cable management.

Caution Excessive bending can damage interface cables, especially optical cables.

Chapter 5 Configuring the Modular Switch

The initial configuration provides one username, *admin*, that is not assigned a password. When using any username without a password, you can only log into the switch through the console port. After assigning a password to the *admin* username, you can log into the switch through any port.

This procedure performs the following initial configuration tasks:

- assigns a password to the admin username.
- assigns an IP address to the Ethernet management port.
- defines a default route to a network gateway.

Step 1 Connect the switch to a PC with a RJ-45 serial adapter cable, as described in [Section 4.2](#).

Step 2 Log into the switch by typing **admin** at the login prompt.

```
Arista EOS
localhost login:admin
Last login: Fri Nov 12 13:17:13 on console
```

Step 3 Enter privileged EXEC mode by typing **enable**.

```
localhost>enable
```

Step 4 Enter global configuration mode by typing **configure terminal** (or **config**).

```
localhost#config
```

Step 5 Assign a password to the *admin* username with the **username secret** command.

```
localhost(config)#username admin secret pxq123
```

Step 6 Configure a default route to the network gateway.

```
localhost(config)#ip route 0.0.0.0/0 192.0.2.1
```

Step 7 Enter interface configuration mode by typing **interface** and the name of the management port.

```
localhost(config)#interface management 1
```

Step 8 Assign an IP address to the port by typing **ip address**, followed by the desired address.

```
localhost(config-if-Ma1)#ip address 192.0.2.8/24
```

This command assigns the ip address 192.0.2.8 to the management port.

Step 9 Exit configuration mode by typing **end** at the interface configuration and global configuration prompts.

```
localhost(config-if-Ma1)#end
localhost(config)#end
```

Step 10 Save the configuration by typing **write memory** or **copy running-config startup-config**.

```
localhost#copy running-config startup-config
```

When the management port IP address is configured, use this command to access the switch from a host, using the address configured in step 8:

```
ssh admin@192.0.2.8
```

Refer to the **Arista Networks User Manual** for complete switch configuration information.

Appendix A Status Indicators

A.1 Front Indicators

A.1.1 Supervisor Status Indicators

The Status and Active LEDs are located on the left side of the Supervisor Module (Figure 15). The Status Summary screen displays status indicators for switch components, including the power supplies, fabric modules, fan modules, and linecards.

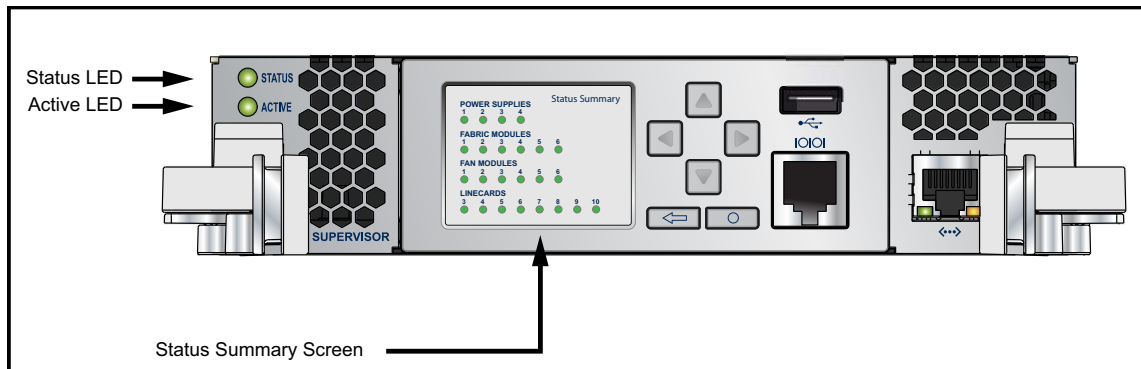


Figure 15: Supervisor Status Indicators

Table 2: Supervisor Status LED States

LED State	Status
Off	Module failed or is improperly inserted.
Green	Supervisor operating normally.
Red	Module failed.

Table 3: Supervisor Active LED States

LED State	Status
Off	Supervisor is not active.
Green	Supervisor is active and controlling the switch.

The Supervisor Status Summary Screen displays indicators for the power supplies, fabric module, fan modules and linecards. Table 4 interprets the states of the indicators that the screen displays.

Table 4: Supervisor Status Summary Indicator States

LED State	Status
Gray	Module not present or improperly inserted.
Green	Module operating normally.
Red	Module has failed.

A.1.2 Linecard Module Indicators

The Linecard Status LED is located in the top left corner of the module ([Figure 16](#)). The status LED reports on module functions.

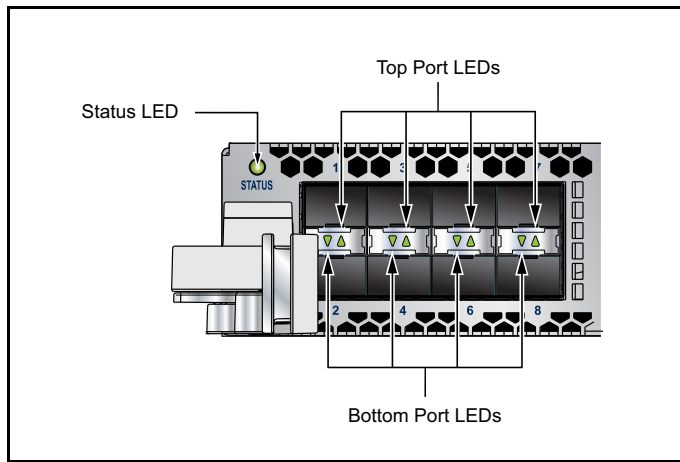


Figure 16: Linecard Status LED

Table 5: Linecard Status LED States

LED State	Status
Off	Linecard not fully inserted.
Green	Linecard operating normally.
Flashing Green	Linecard booting.
Yellow	Linecard administratively shut down.
Flashing Yellow	Shut down due to excessive temperature or insufficient fans.
Red	Module has failed.

The linecard provides an LED for each SFP port socket. [Figure 16](#) displays the port LED locations.

Table 6: Linecard Port LED States

LED State	Status
Off	Port link is down.
Green	Port link is up.
Yellow	Port is disabled in software.
Flashing Yellow	Port failed diagnostics.

A.2 Rear Status Indicators

The Fan, Fabric, and Power Status LEDs are located on the rear of the switch as shown in [Appendix E](#). The Fan Status and Fabric Status LEDs are on the Fan (DCS-7408) and Fan-Fabric (DCS-7404) modules ([Figure 17](#)).

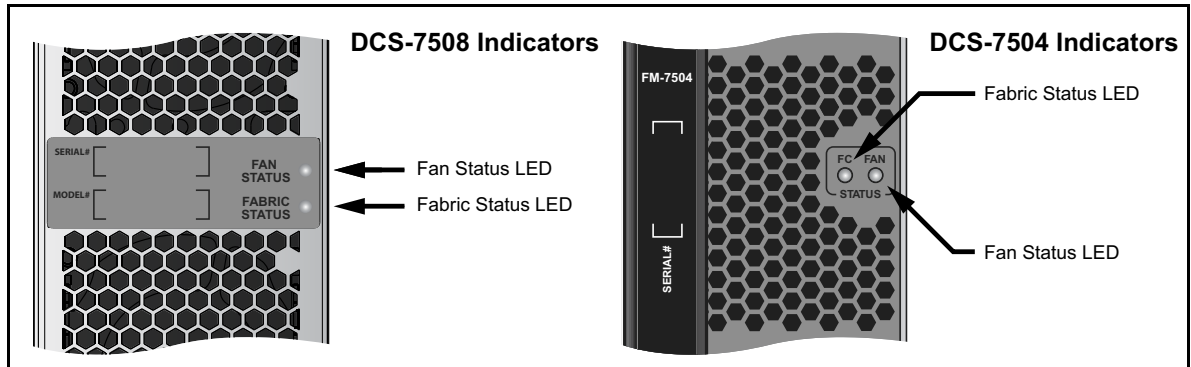


Figure 17: Fan Status and Fabric Status LEDs

Table 7: Fan Status and Fabric Status LEDs on Rear Panel

LED State	Status
Off	Module inserted, but status is unknown.
Green	Module operating normally
Red	Module failed

The Power Supply Status LEDs are on the power supplies ([Figure 18](#)).

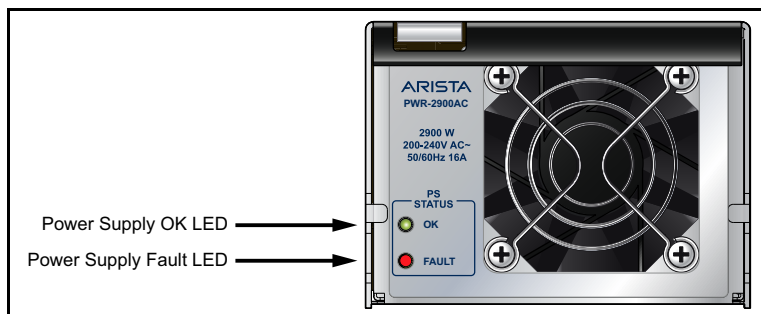


Figure 18: Power Supply

Table 8: Power Supply Status

OK LED	Fault LED	Status
Green	Off	Power Supply operating normally.
Off	Yellow	No AC power on this supply.
Off	Red	Module has failed.
Off	Off	No AC power on any supply.

Appendix B Important Safety Instructions

The following safety instructions and warnings apply to the installation and operation of this product.

Statement 1001 — Installation Instructions.

- Warning Read the installation instructions before connecting the system to the power source.
- Attention Avant de brancher le système sur la source d'alimentation, consulter les directives d'installation.
- Warnung Vor dem Anschließen des Systems an die Stromquelle die Installationsanweisungen lesen.

Statement 1002 — Overheating Prevention.

- Warning To prevent the system from overheating, do not operate it in an area that exceeds the maximum recommended ambient temperature of 40°F (104°C).
- Attention Pour éviter toute surchauffe du système, il est recommandé de maintenir une température ambiante inférieure à 40°C.
- Warnung Um das System vor Überhitzung zu schützen, vermeiden Sie dessen Verwendung in einer Umgebungstemperatur über 40°C.

Statement 1005 — Comply with Local and National Electrical Codes.

- Warning Installation of the equipment must comply with local and national electrical codes.
- Attention L'équipement doit être installé conformément aux normes électriques nationales et locales.
- Warnung Die Installation der Geräte muss den Sicherheitsstandards entsprechen.

Statement 1007 — Do not Physically Stack Units on Any Other Equipment.

- Warning Do not stack the chassis on any other equipment. If the chassis falls, it can cause severe bodily injury and equipment damage.
- Attention Ne placez pas ce châssis sur un autre appareil. En cas de chute, il pourrait provoquer de graves blessures corporelles et d'importants dommages.
- Achtung Das Gehäuse nicht auf andere Geräte stellen. Wenn das Gehäuse herunterfällt, besteht Gefahr schwerer Personenverletzungen und Geräteschäden.

Statement 1009 — Never Lift the Chassis using handles on Modules.

- Warning To prevent personal injury or damage to the chassis, never attempt to lift or tilt the chassis using the handles on modules (such as power supplies, fans, or cards); these types of handles are not designed to support the weight of the unit.
- Attention Pour éviter tout risque d'accident corporel et/ou de dommage matériel, n'essayez jamais de soulever ou de faire pivoter le châssis par les poignées des différents modules (blocs d'alimentation, ventilateurs ou cartes). Celles-ci ne sont pas conçues pour supporter le poids de l'unité.
- Warnung Um Verletzungen und Beschädigung des Chassis zu vermeiden, sollten Sie das Chassis nicht an den Henkeln auf den Elementen (wie z.B. Stromanschlüsse, Kühlungen oder Karten) heben oder kippen; diese Henkel sind nicht dazu eingerichtet, das Gewicht der Einheit zu halten.

Statement 1010 — This equipment must be grounded. Never defeat the Ground Conductor.

Warning This equipment must be grounded. Never defeat the ground conductor or operate the equipment in the absence of a suitably installed ground conductor. Contact the appropriate electrical inspection authority or an electrician if you are uncertain that suitable grounding is available.

Attention Cet équipement doit être mis à la masse. Ne jamais rendre inopérant le conducteur de masse ni utiliser l'équipement sans un conducteur de masse adéquatement installé. En cas de doute sur la mise à la masse appropriée disponible, s'adresser à l'organisme responsable de la sécurité électrique ou à un électricien.

Warnung Dieses Gerät muss geerdet sein. Auf keinen Fall den Erdungsleiter unwirksam machen oder das Gerät ohne einen sachgerecht installierten Erdungsleiter verwenden. Wenn Sie sich nicht sicher sind, ob eine sachgerechte Erdung vorhanden ist, wenden Sie sich an die zuständige Inspektionsbehörde oder einen Elektriker.

Statement 1012 — When Installing or Replacing the Unit, make the Ground Connection First.

Warning When installing or replacing the unit, the ground connection must always be made first and disconnected last.

Attention Lors de l'installation ou du remplacement de l'appareil, la mise à la terre doit toujours être connectée en premier et déconnectée en dernier.

Warnung Der Erdanschluß muß bei der Installation oder beim Austauschen der Einheit immer zuerst hergestellt und zuletzt abgetrennt werden.

Statement 1015 — This Unit Might Have More Than One Power Supply Connection.

Warning This unit might have more than one power supply connection. All power connections must be removed to de-energize the unit.

Attention Cette unité peut avoir plus d'une connexion d'alimentation. Pour supprimer toute tension et tout courant électrique de l'unité, toutes les connexions d'alimentation doivent être débranchées.

Warnung Dieses Gerät kann mehr als eine Stromzufuhr haben. Um sicherzustellen, dass der Einheit kein Strom zugeführt wird, müssen alle Verbindungen entfernt werden.

Statement 1020 — Main Disconnecting Device.

Warning The plug-socket combination must be accessible at all times, because it serves as the main disconnecting device.

Attention La combinaison de prise de courant doit être accessible à tout moment parce qu'elle fait office de système principal de déconnexion.

Warnung Der Netzkabelanschluß am Gerät muß jederzeit zugänglich sein, weil er als primäre Ausschaltvorrichtung dient.

Statement 1025 — Short-circuit Protection.

- Warning This product requires short-circuit (overcurrent) protection to be provided as part of the building installation. Install only in accordance with national and local wiring regulations.
- Attention La protection de ce produit contre les courts-circuits (surtensions) doit être assurée par la configuration électrique du bâtiment. Vérifiez que l'installation a lieu uniquement en conformité avec les normes de câblage en vigueur au niveau national et local.
- Warnung Für dieses Produkt ist eine Kurzschlußsicherung (Überstromsicherung) erforderlich, die als Teil der Gebäudeinstallation zur Verfügung gestellt wird. Die Installation sollte nur in Übereinstimmung mit den nationalen und regionalen Vorschriften zur Verkabelung erfolgen.

Statement 1030 — Equipment Installation.

- Warning Only trained and qualified personnel should install, replace, or service this equipment.
- Attention Il est vivement recommandé de confier l'installation, le remplacement et la maintenance de ces équipements à des personnels qualifiés et expérimentés.
- Warnung Das Installieren, Ersetzen oder Bedienen dieser Ausrüstung sollte nur geschultem, qualifiziertem Personal gestattet werden.

Statement 1035 — No User-Serviceable Parts Inside. Do Not Open Unit.

- Warning No user-serviceable parts inside. Do not open unit.
- Attention Aucune pièce se trouvant à l'intérieur ne peut être réparée ou remplacée par l'utilisateur. Ne pas ouvrir.
- Warnung Enthält keine Teile, die vom Benutzer gewartet werden müssen. Bitte nicht öffnen.

Statement 1036 — Any power cords provided by Arista are intended for use with Arista products only.

- Warning Any power cords provided by Arista are intended for use with Arista products only.
- Attention Les cordons d'alimentation fournis par Arista sont destinés à être utilisés avec Arista produits.
- Warnung Alle Netzkabel von Arista sind für die Verwendung mit Arista Produkte.

Statement 1040 — Product Disposal.

- Warning Ultimate disposal of this product should be handled according to all national laws and regulations.
- Attention La mise au rebut ou le recyclage de ce produit sont généralement soumis à des lois et/ou directives de respect de l'environnement. Renseignez-vous auprès de l'organisme compétent.
- Warnung Die Entsorgung dieses Produkts sollte gemäß allen Bestimmungen und Gesetzen des Landes erfolgen.

Statement 1050 — Class 1 Laser Product.

- Warning Class 1 laser product.
- Attention Produit laser de classe 1.
- Warnung Laserprodukt der Klasse 1.

Statement 1055 — Do not Stare into Laser Beam.

Warning Do not stare into the beam or view it directly with optical instruments.

Attention Ne pas fixer le faisceau des yeux, ni l'observer directement à l'aide d'instruments optiques.

Warnung Nicht direkt in den Strahl blicken und ihn nicht direkt mit optischen Geräten prüfen.

Refer also to the Arista Networks document Safety Information and Translated Safety Warnings available at:

http://www.aristanetworks.com/media/system/pdf/7000_Series_Safety_Information.pdf

Appendix C Parts List

Each switch provides an accessory kit that contains parts that are required to install the switch. The following sections list the installation parts provided by the accessory kit.

C.1 Two-Post Rack Mount Parts

Table 9: Two-Post Rack Mount Parts

Quantity	Description
2	Center-mount brackets.
20	M4x8 panhead Phillips screws.

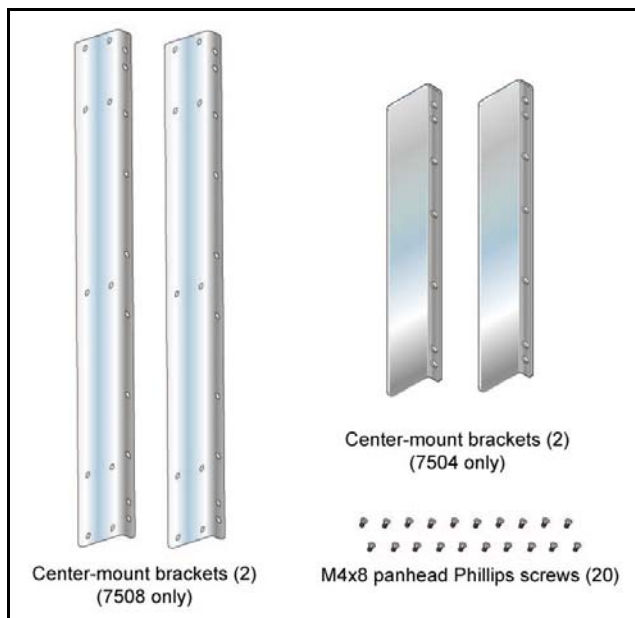


Figure 19: Two-Post Rack Mount Parts

C.2 Four-Post Rack Mount Parts

Table 10: Four-Post Rack Mount Parts

Quantity	Description
2	Front brackets.
4	Shelf supports.
2	Back brackets.
1	Left shelf.
1	Right shelf.
10	M6X16 panhead Phillips screws.
4	M6 Cage Hex Nuts.
2	M6 Cage Nut Square Hole Racks.

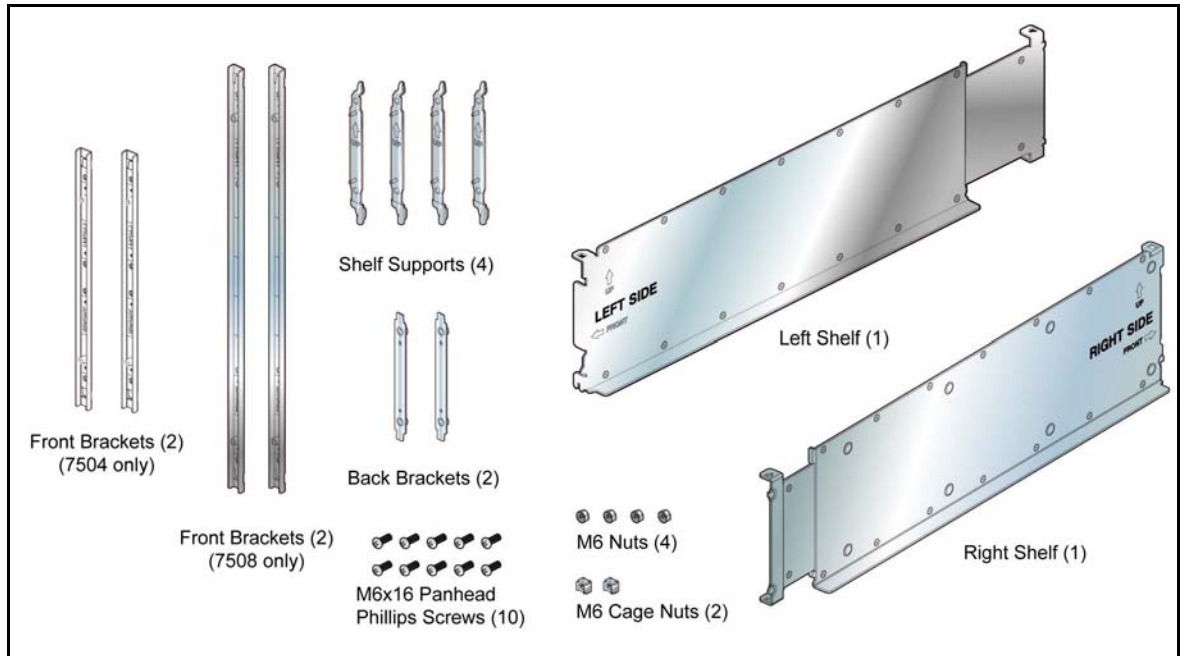


Figure 20: Four-Post Rack Mount Parts

C.3 Parts Used in All Rack Mount Configurations

C.3.1 Cables

Table 11: Cables Provided in Accessory Kit

Quantity	Description
4	power cables: 14 AWG, C19-C20, 2 meters.
2	RJ-45 Patch Panel Cables, 2 meters.
2	RJ-45 to DB9 Adapter Cable, 2 meters.

C.3.2 Equipment

Table 12: Installation Equipment Provided in Accessory Kit

Quantity	Description
1	Adjustable Wrench.

C.3.3 Rack Mount Alternate Parts

These parts are supplied for threaded racks that do not use M6 screws.

Table 13: Threaded Rack Post Parts

Quantity	Description
5	M5 hex nuts.
11	M5X16 panhead Phillips screws.
5	12-24 hex nuts.
11	12-24X5/8 panhead Phillips screws.
5	10-32 hex nuts.
11	10-32X5/8 panhead Phillips screws.
3	M6 cage nuts.

Appendix D Front Panels

This appendix displays the front panel of all switches covered by this guide.

DCS-7508

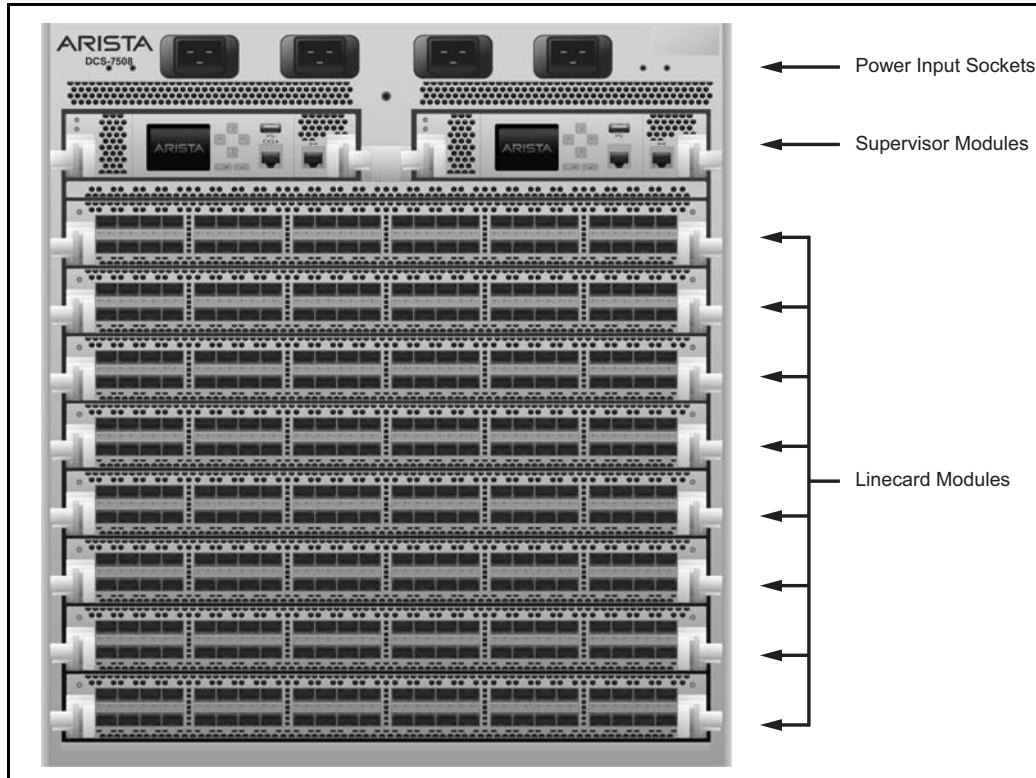


Figure 21: DCS-7508 Front Panel (fully populated)

DCS-7504

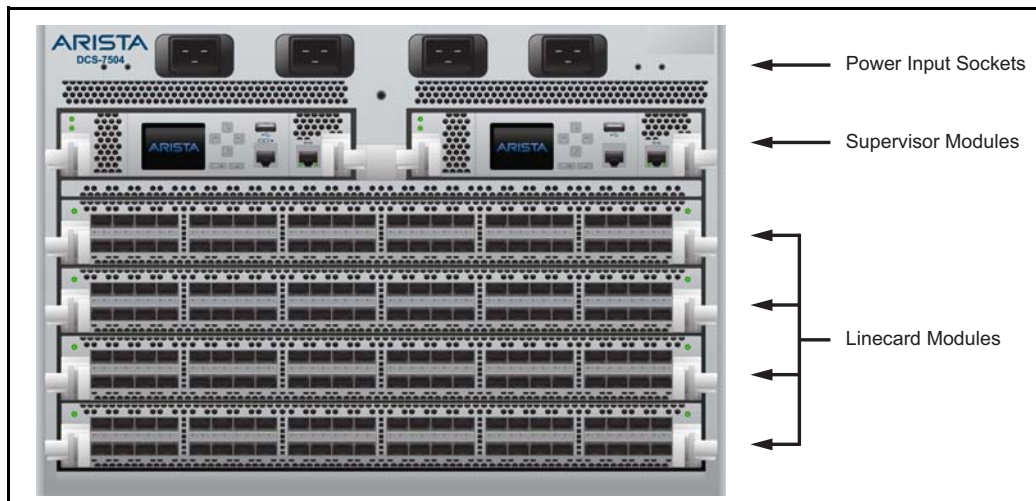


Figure 22: DCS-7504 Front Panel (fully populated)

Appendix E Rear Panel

This appendix displays the rear panel of all switches covered by this guide.

DCS-7508

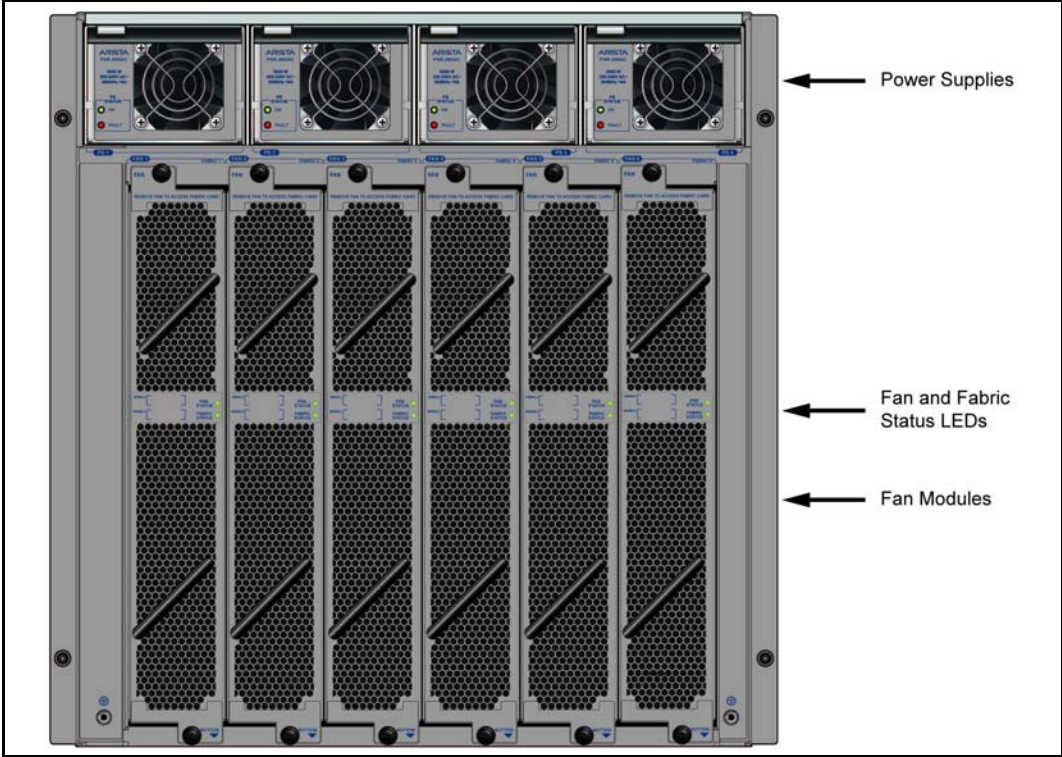


Figure 23: DCS-7508 Rear Panel

DCS-7504



Figure 24: DCS-7504 Rear Panel